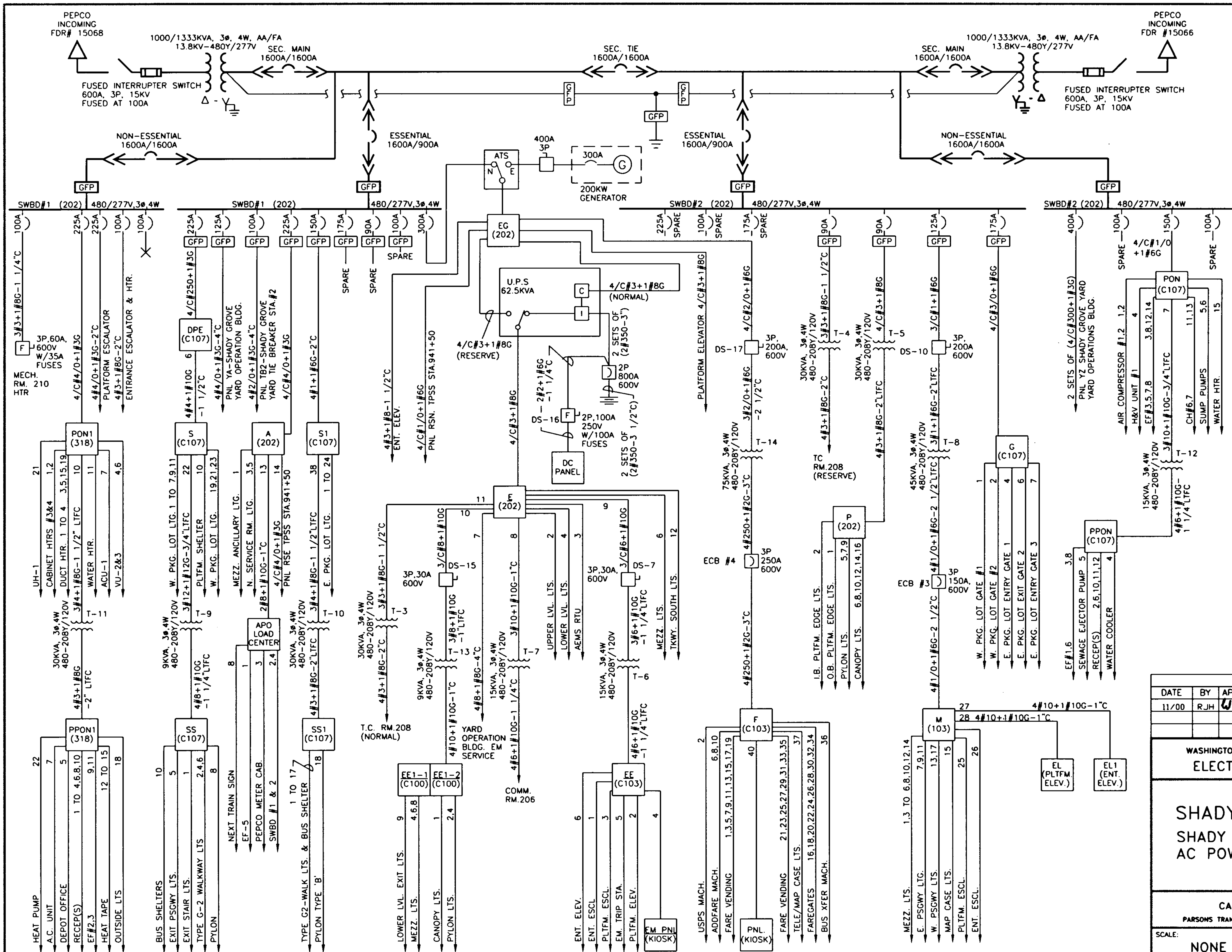


DESIGNED _____ DATE _____
 DRAWN _____ DATE _____
 CHECKED _____ DATE _____
 APPROVED _____ DATE _____



- NOTES:**
- -
 -
 -
 -
 -

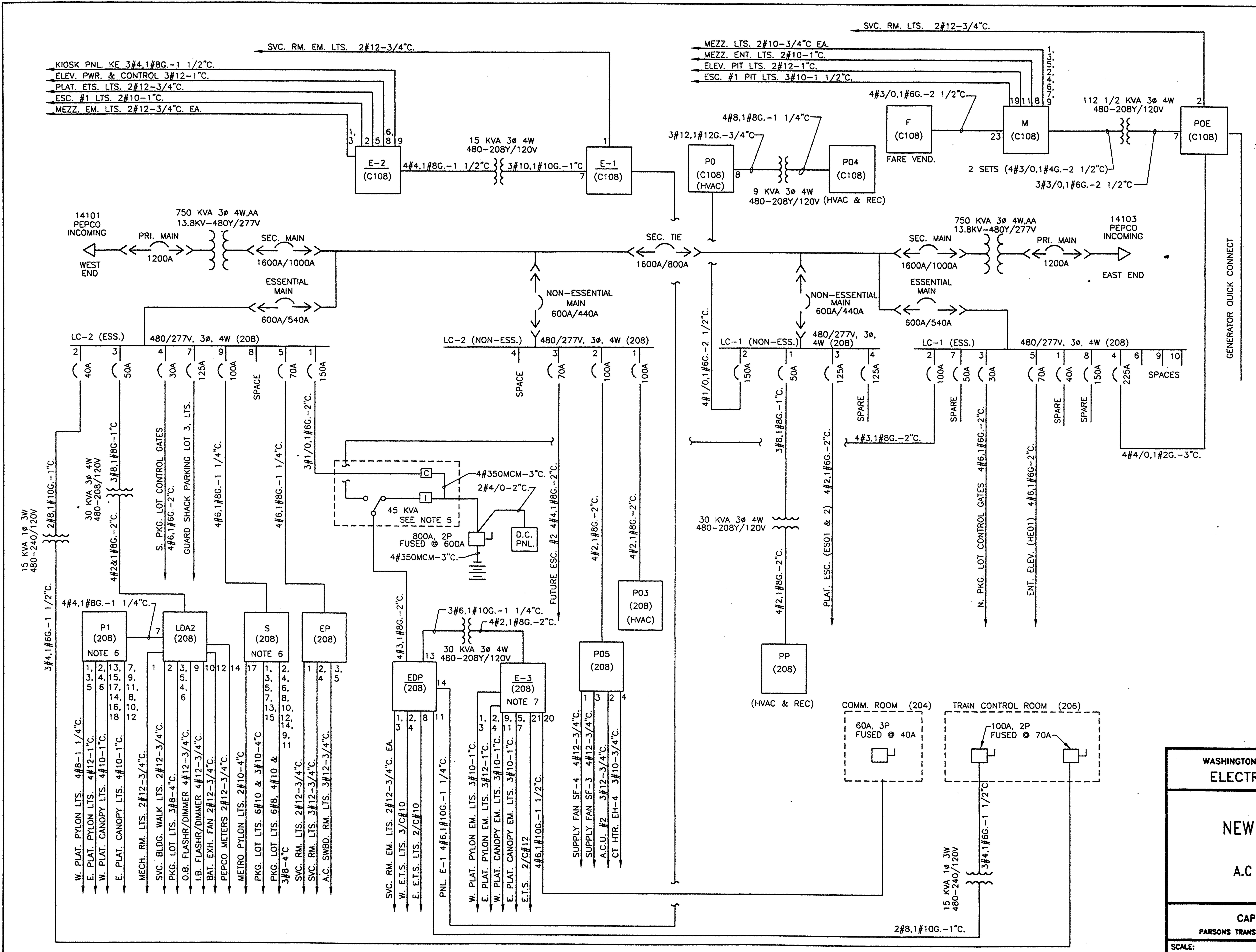
REVISIONS				
DATE	BY	APRVD	DESCRIPTION	
11/00	RJH	WJ	A	ADDED EMERGENCY GENERATOR

WASHINGTON METROPOLITAN AREA TRANSIT AUTHORITY
ELECTRICAL MAINTENANCE MAP

SHADY GROVE ROUTE
SHADY GROVE STATION (A15)
AC POWER ONE LINE DIAGRAM

CAPITAL IMPROVEMENT PROGRAM
 PARSONS TRANSPORTATION GROUP - CAPITAL TRANSIT CONSULTANTS

SCALE: NONE	DRAWING No. MM-A-E37
-------------	----------------------



- NOTES:**
- PANEL DESIGNATION

WEA (205) PANEL DESIGNATION WHEN UNDERLINED IS EMERGENCY ROOM NUMBER

(LIGHTING) TYPE OF DISTRIBUTION

8 (CIRCUIT NUMBER) + IF NO CIRCUITS SHOWN
 - 3#2.1#6-2\"/>
 - CIRCUIT BREAKERS

DRAW OUT <<< >>> 1600A/1200A

MOLDED CASE 60A

FRAME SIZE

TRIP SETTING
 - 4/C-4/0

INDICATES MULTICONDUCTOR CABLE WITH 4 CONDUCTOR AND SIZE OF EACH 4/0*
 - RATING AS SHOWN FOR UNINTERRUPTIBLE POWER SUPPLY CONSISTING OF RECTIFIER, CHARGER INVERTER, POWER TRANSFER SWITCH ASSOCIATED BATTERIES AND D.C. PANELBOARD.
 - PANEL CONTROLLED BY 3 POLE, 100A, ELECTRICALLY OPERATED MECHANICALLY HELD CONTACTOR.
 - BOTTOM HALF OF SPLIT PANEL CONTROLLED BY 3 POLE, 100A, ELECTRICALLY OPERATED MECHANICALLY HELD CONTACTOR.
 - SWITCHGEAR MANUFACTURER: FEDERAL PACIFIC
 - UPS MANUFACTURER: IPM

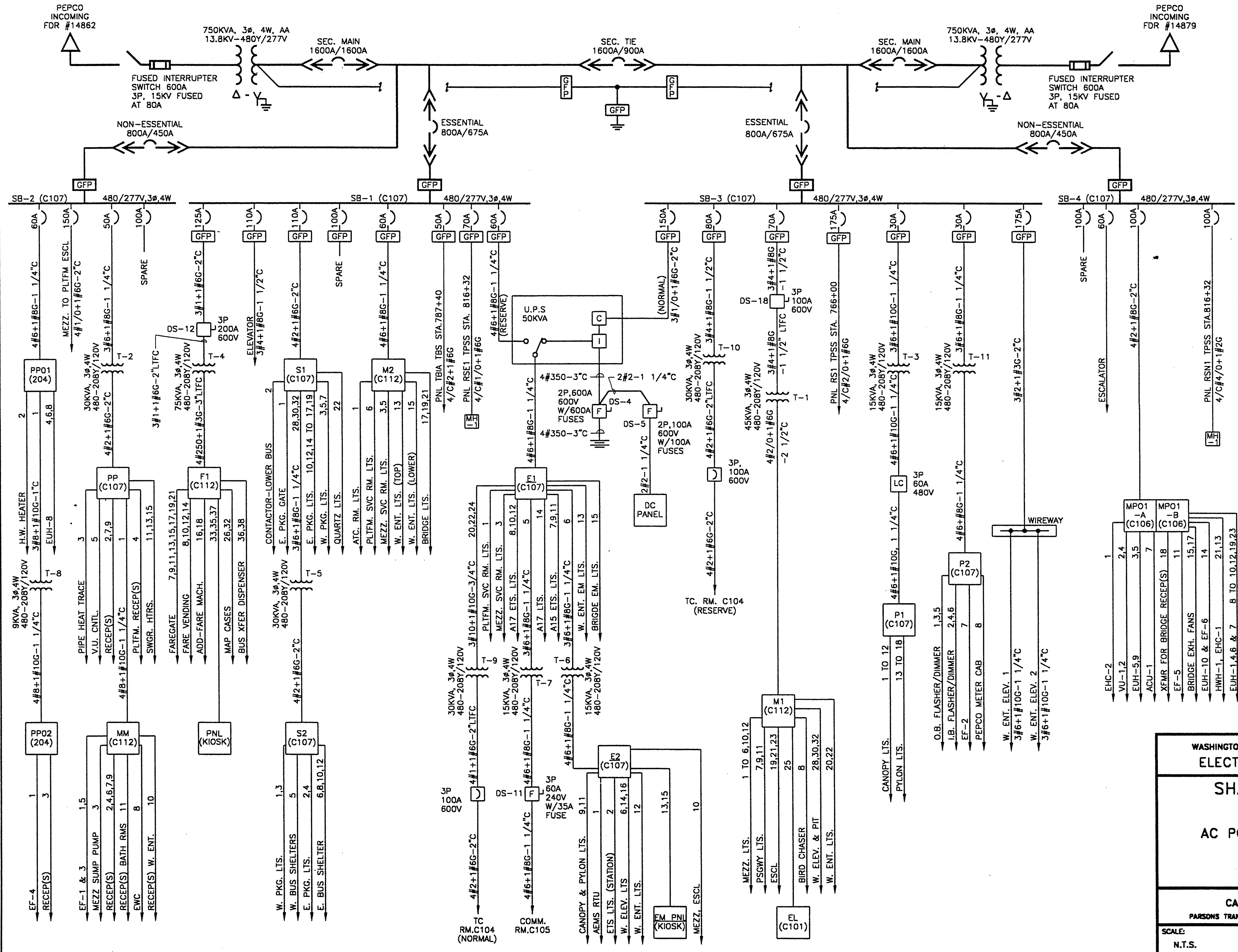
REVISIONS		
DATE	BY	DESCRIPTION

WASHINGTON METROPOLITAN AREA TRANSIT AUTHORITY
ELECTRICAL MAINTENANCE MAP

**NEW CARROLLTON ROUTE
LANDOVER STATION
A.C POWER ONE LINE DIAGRAM**

CAPITAL IMPROVEMENT PROGRAM
PARSONS TRANSPORTATION GROUP - CAPITAL TRANSIT CONSULTANTS

SCALE: SCALE DRAWING No. MM-D-E25



- NOTES:**
1. PANEL DESIGNATION
 PANEL DESIGNATION WHEN UNDERLINED IS EMERGENCY
 ROOM NUMBER
 8 (CIRCUIT NUMBER)
 2. 3#2, 2" CONDUIT SIZE
 AWG OR KCMIL CIRCUIT WIRES
 3. CIRCUIT BREAKERS
 DRAW OUT 1600A/1200A
 FRAME SIZE
 MAXIMUM CONTINUOUS CURRENT
 4. SWITCHGEAR INFORMATION
 MANUFACTURER: ABBOTT POWER CORPORATION S.N. 6046 - 2/3
 5. UPS MANUFACTURER
 INTERNATIONAL POWER MACHINES
 6. ROOM DESIGNATIONS
 MEZZANINE
 C101 ELEVATOR MACHINE RM.
 C102 TELEPHONE
 C104 TRAIN CONTROL RM.
 C105 COMMUNICATION
 C106 MECH. EQUIP. RM.
 C107 A.C. SWBD. RM.
 C108 BATTERY RM.
 C109 MAINTENANCE
 C110 OPERATIONS
 C111 CLEANERS/WATER SERVICE RM.
 C112 ELEC. EQUIP. CLOSET
 PLATFORM
 204 CLEANERS/WATER SERVICE RM.

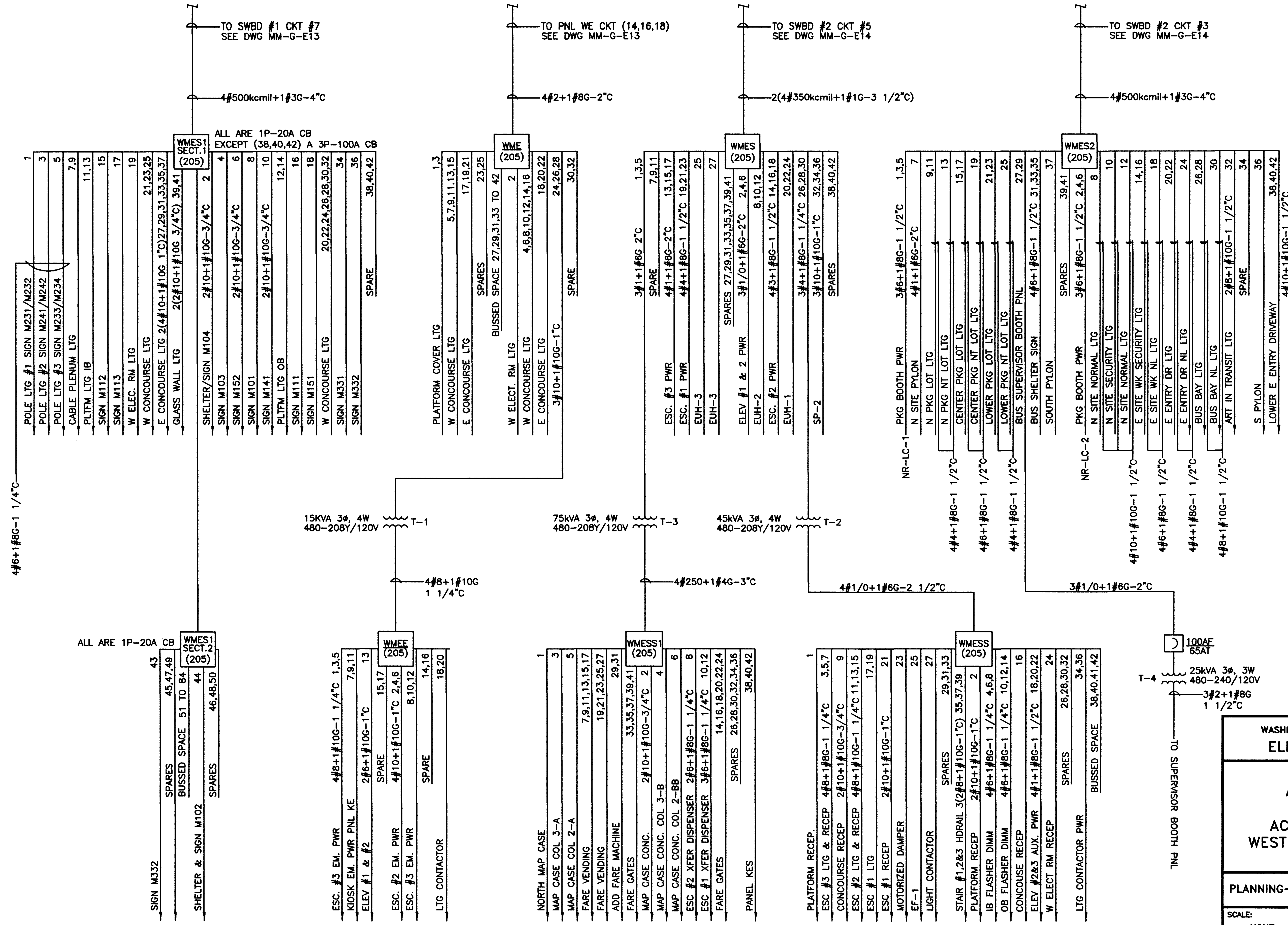
REVISIONS		
DATE	BY	DESCRIPTION

WASHINGTON METROPOLITAN AREA TRANSIT AUTHORITY
ELECTRICAL MAINTENANCE MAP
SHADY GROVE ROUTE
ROCKVILLE STATION
AC POWER ONE LINE DIAGRAM

CAPITAL IMPROVEMENT PROGRAM
 PARSONS TRANSPORTATION GROUP - CAPITAL TRANSIT CONSULTANTS

SCALE: N.T.S. DRAWING No. **MM-A-E35**

DESIGNED TH DATE 11-01-06
 DRAWN TH DATE 11-01-06
 CHECKED MO DATE 11-01-06
 APPROVED MO DATE 11-01-06



- NOTES:
- PANEL DESIGNATION
 PANEL DESIGNATION WHEN UNDERLINED IS EMERGENCY
 ROOM NUMBER
 B (CIRCUIT NUMBER)
 - 3#2+1#8G-2" C
 CONDUIT SIZE
 EQUIPMENT GND WIRE
 AWG OR KCMIL CIRCUIT WIRES
 (NO INDICATION DENOTES #12 WIRE CIRCUIT PLUS #12G IN 3/4" C)
 - PANELBOARD MANUFACTURER
 SIEMENS
 - SERVICE ROOM DESIGNATIONS
 WEST PLATFORM LEVEL
 111 COMMS ROOM
 113 TC ROOM
 105 ELECTRICAL ROOM
 WEST MEZZANINE LEVEL
 221 TPSS & AC SWBD ROOM
 223 BATTERY ROOM
 205 ELECTRICAL ROOM
 EAST PLATFORM LEVEL
 102 ELECTRICAL ROOM

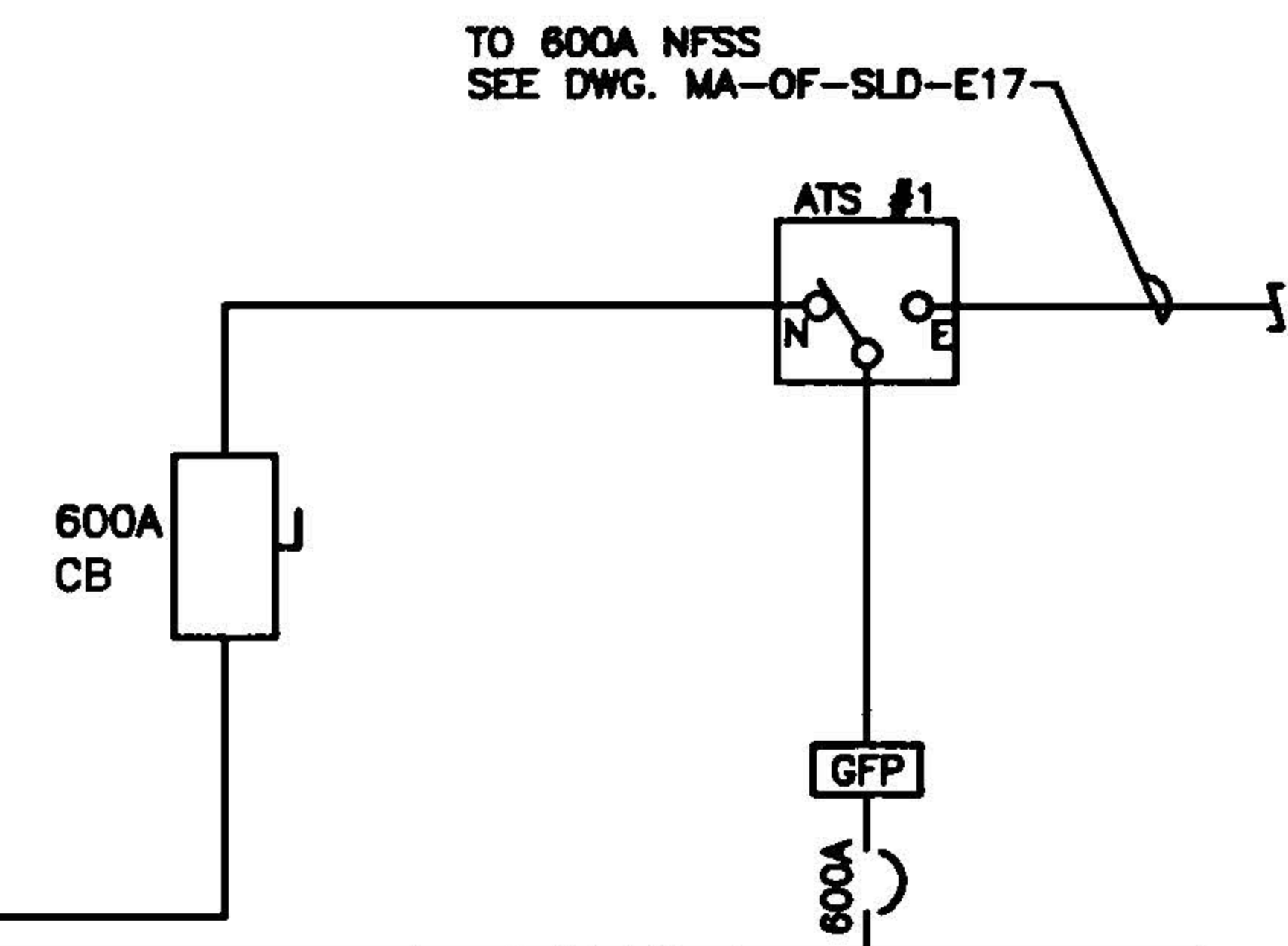
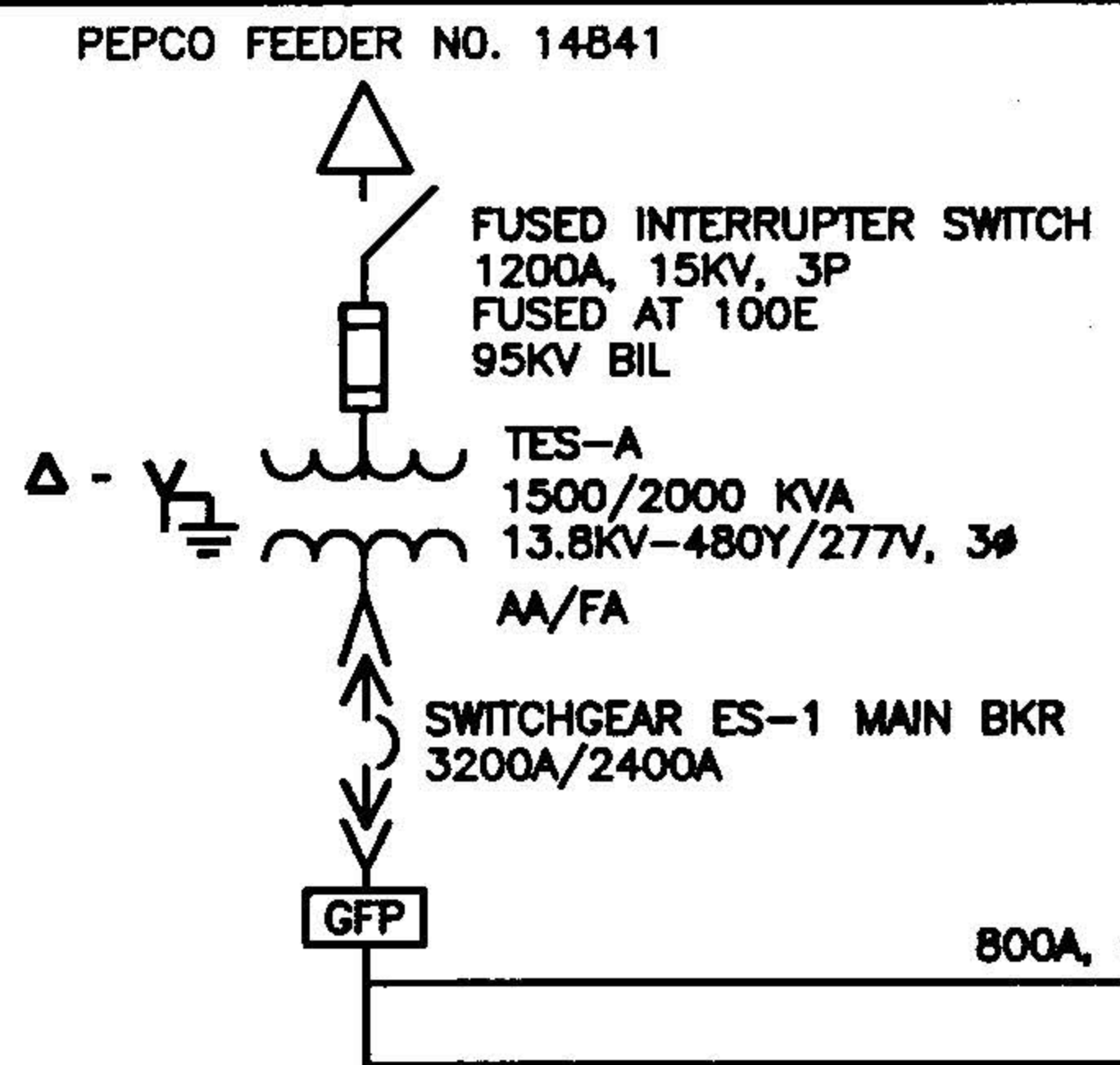
REVISIONS		
DATE	BY	DESCRIPTION

WASHINGTON METROPOLITAN AREA TRANSIT AUTHORITY
 ELECTRICAL MAINTENANCE MAP

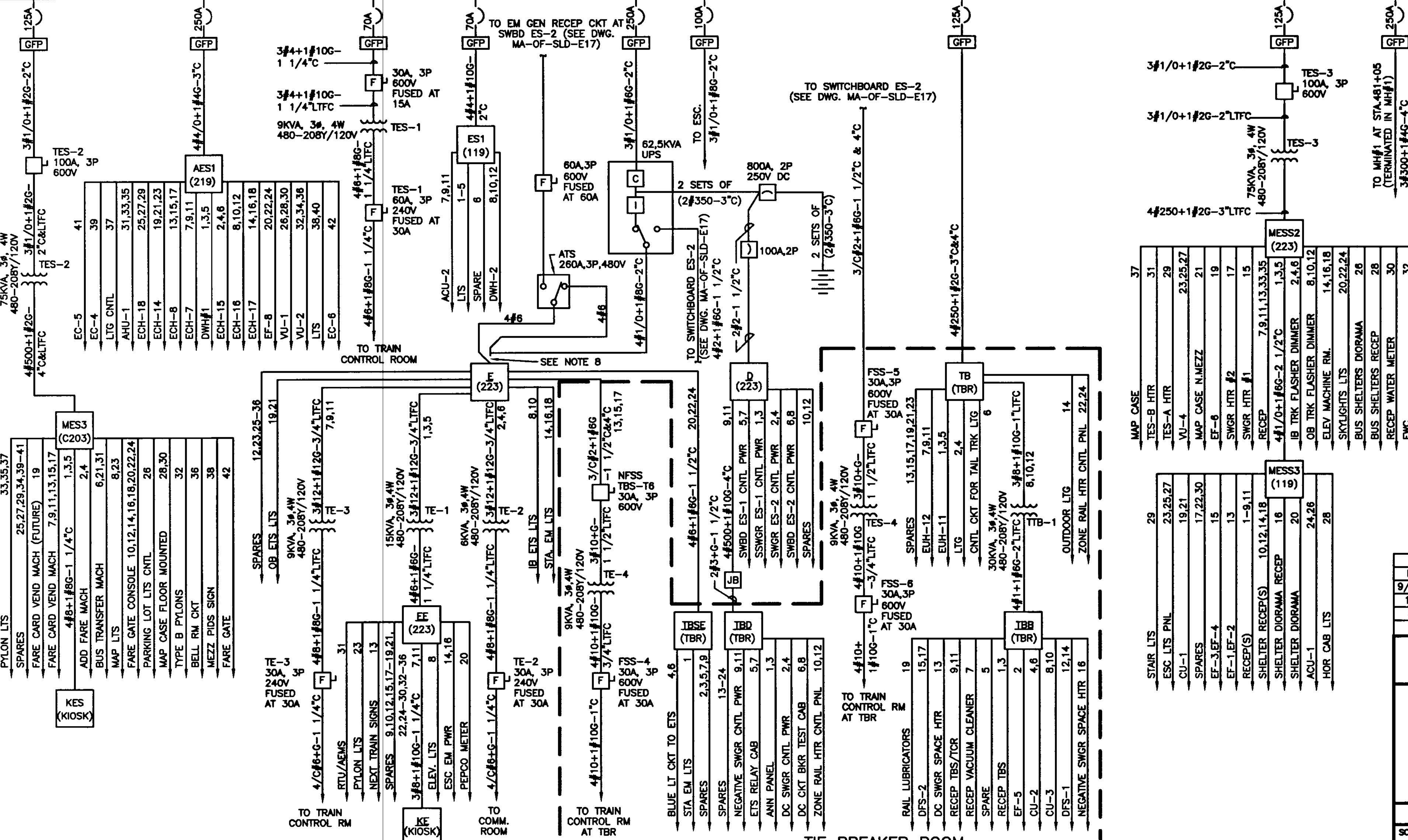
**ADDISON - G ROUTE
 MORGAN BLVD STATION
 AC POWER ONE LINE DIAGRAM
 WEST MEZZANINE ELECTRICAL ROOM**

PLANNING-DEVELOPMENT-ENGINEERING-CONSTRUCTION

SCALE: NONE	DRAWING No. MM-G-E15
----------------	-------------------------



SWITCHBOARD ES-1 2500A, 480Y/277V, 3Φ, 4W



- NOTES:**
- PANEL DESIGNATION
WEA
(205)
PANEL DESIGNATION WHEN UNDERLINED IS EMERGENCY
ROOM NUMBER
8 (CIRCUIT NUMBER)
 - 3/2, 2°C
CONDUIT SIZE
AWG OR KCMIL CIRCUIT WIRES
 - CIRCUIT BREAKERS
DRAW OUT ←→ 1800A/1200A
FRAME SIZE
CONTINUOUS CURRENT
SETTING
 - SWITCHGEAR MANUFACTURER
INDUSTRIAL ELECTRIC MFG, INC.
 - TRANSFORMER MANUFACTURER
OLSUN ELECTRICS CORPORATION
 - UPS MANUFACTURER
CYBEREX LLC
 - ROOM DESIGNATIONS
PLATFORM LEVEL
135 MECHANICAL ROOM
111/133 TRAIN CONTROL ROOM
131 COMMUNICATIONS ROOM
128 OPERATIONS ROOM
119 ELECTRICAL ROOM
MEZZANINE LEVEL
219 MECHANICAL ROOM
227 BATTERY ROOM
223 AC SWITCHBOARD ROOM
C203 ELECTRICAL ROOM
TBR TIE BREAKER ROOM
 - TEMPORARY CIRCUIT CONNECTIONS (NO CONDUIT) EXIST AT PANEL E AND SWITCHBOARD ES-2 TO ACCOMMODATE 60A FUSED SWITCH AND 260A ATS ADDED BY USER TO PROVIDE AUTOMATIC CONNECTION OF PANEL E TO MOBILE GENERATOR ON SITE WHEN UPS OUTPUT FAILS.

REVISIONS

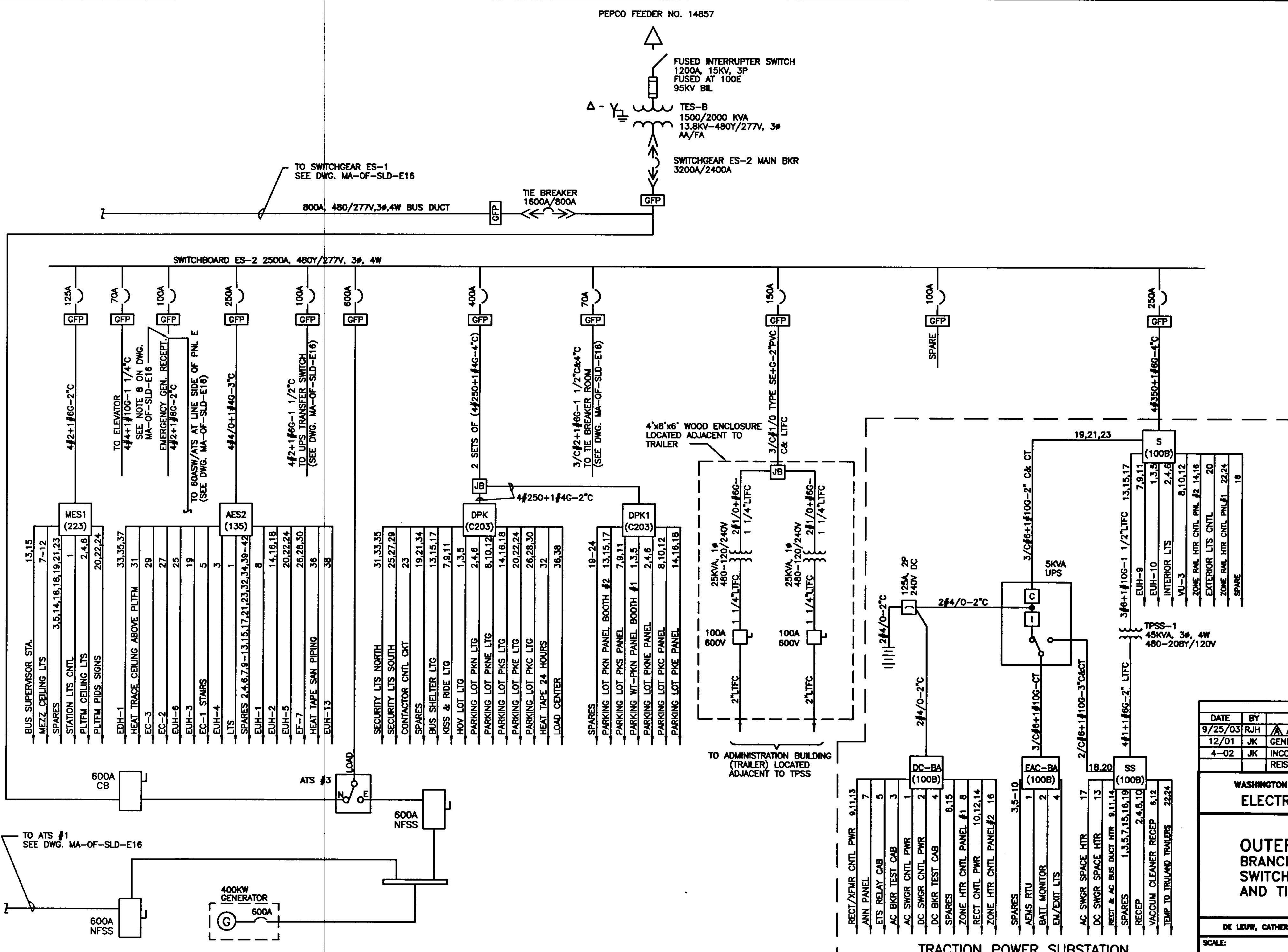
DATE	BY	DESCRIPTION
9/25/03	RJH	ADDED EMERGENCY GENERATOR
12/01	JK	GENERAL REVISIONS
4-02	JK	INCORPORATED COMMENTS
		REISSUED DRAWING

WASHINGTON METROPOLITAN AREA TRANSIT AUTHORITY
ELECTRICAL MAINTENANCE MAP

**OUTER-F-ROUTE
BRANCH AVENUE STATION F11
SWITCHGEAR/SWITCHBOARD ES-1
AND TIE BREAKER ROOM**

DE LEUW, CATHAR & COMPANY - GENERAL ENGINEERING CONSULTANT

SCALE: NONE DRAWING No. MA-OF-SLD-E16



- NOTES:
- PANEL DESIGNATION

WEA (205)

PANEL DESIGNATION WHEN UNDERLINED IS EMERGENCY

ROOM NUMBER

8 (CIRCUIT NUMBER)
 - 3/2" 2" C

CONDUIT SIZE

AWG OR KCMIL CIRCUIT WIRES
 - CIRCUIT BREAKERS

DRAW OUT ←→ 1800A/1200A

FRAME SIZE CONTINUOUS CURRENT SETTING
 - SWITCHGEAR MANUFACTURER

INDUSTRIAL ELECTRIC MFG, INC.
 - TRANSFORMER MANUFACTURER

OLSUN ELECTRICS CORPORATION
 - UPS MANUFACTURER

INTERNATIONAL POWER MACHINES (IPM)
 - ROOM DESIGNATIONS

PLATFORM LEVEL

135 MECHANICAL ROOM

111/133 TRAIN CONTROL ROOM

131 COMMUNICATIONS ROOM

129 OPERATIONS ROOM

119 ELECTRICAL ROOM

MEZZANINE LEVEL

219 MECHANICAL ROOM

227 BATTERY ROOM

223 AC SWITCHBOARD ROOM

C203 ELECTRICAL ROOM

100B TRACTION POWER SUBSTATION

REVISIONS		
DATE	BY	DESCRIPTION
9/25/03	RJH	ADDED EMERGENCY GENERATOR
12/01	JK	GENERAL REVISIONS
4-02	JK	INCORPORATED COMMENTS
		REISSUED DRAWING

WASHINGTON METROPOLITAN AREA TRANSIT AUTHORITY

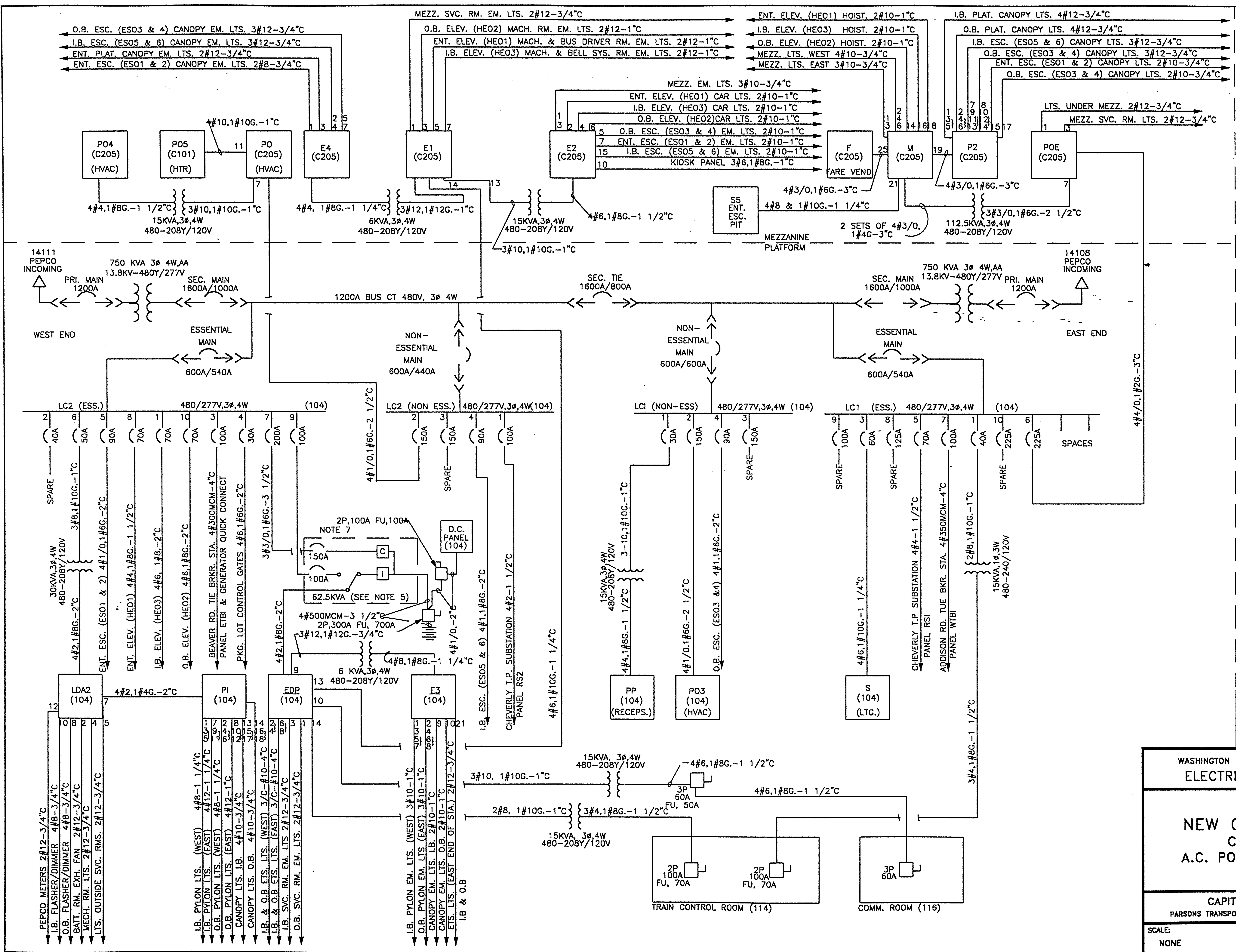
ELECTRICAL MAINTENANCE MAP

**OUTER-F-ROUTE
BRANCH AVENUE STATION F11
SWITCHGEAR/SWITCHBOARD ES-2
AND TIE BREAKER ROOM**

DE LEUW, CATHER & COMPANY - GENERAL ENGINEERING CONSULTANT

SCALE: NONE

DRAWING No. MA-OF-SLD-E17



- NOTES:
1. PANEL DESIGNATION
 PANEL DESIGNATION WHEN UNDERLINED IS EMERGENCY
 ROOM NUMBER
 TYPE OF DISTRIBUTION
 8 (CIRCUIT NUMBER)
 * WHEN NO CKTS SHOWN
 2. 3#2, 2°C
 CONDUIT SIZE
 AWG OR KCMIL CIRCUIT WIRES
 * AS TAKEN FROM AS BUILT DWGS.
 3. CIRCUIT BREAKERS
 DRAW OUT ←→ 1600A/1200A
 MOLDED CASE
 FRAME SIZE
 CONTINUOUS CURRENT
 SETTING
 4. 4/C # 4/0
 INDICATES MULTICONDUCTOR CABLE WITH 4 CONDUCTORS AND SIZE OF EACH 4/0
 5. RATING AS SHOWN FOR UNINTERRUPTIBLE POWER SUPPLY CONSISTING OF RECTIFIER/CHARGER, INVERTER, POWER TRANSFER SWITCH, ASSOCIATED BATTERIES AND D.C. PANELBOARD.
 6. SWITCHGEAR MANUFACTURER
 FEDERAL PACIFIC
 7. UPS MANUFACTURER
 IPM

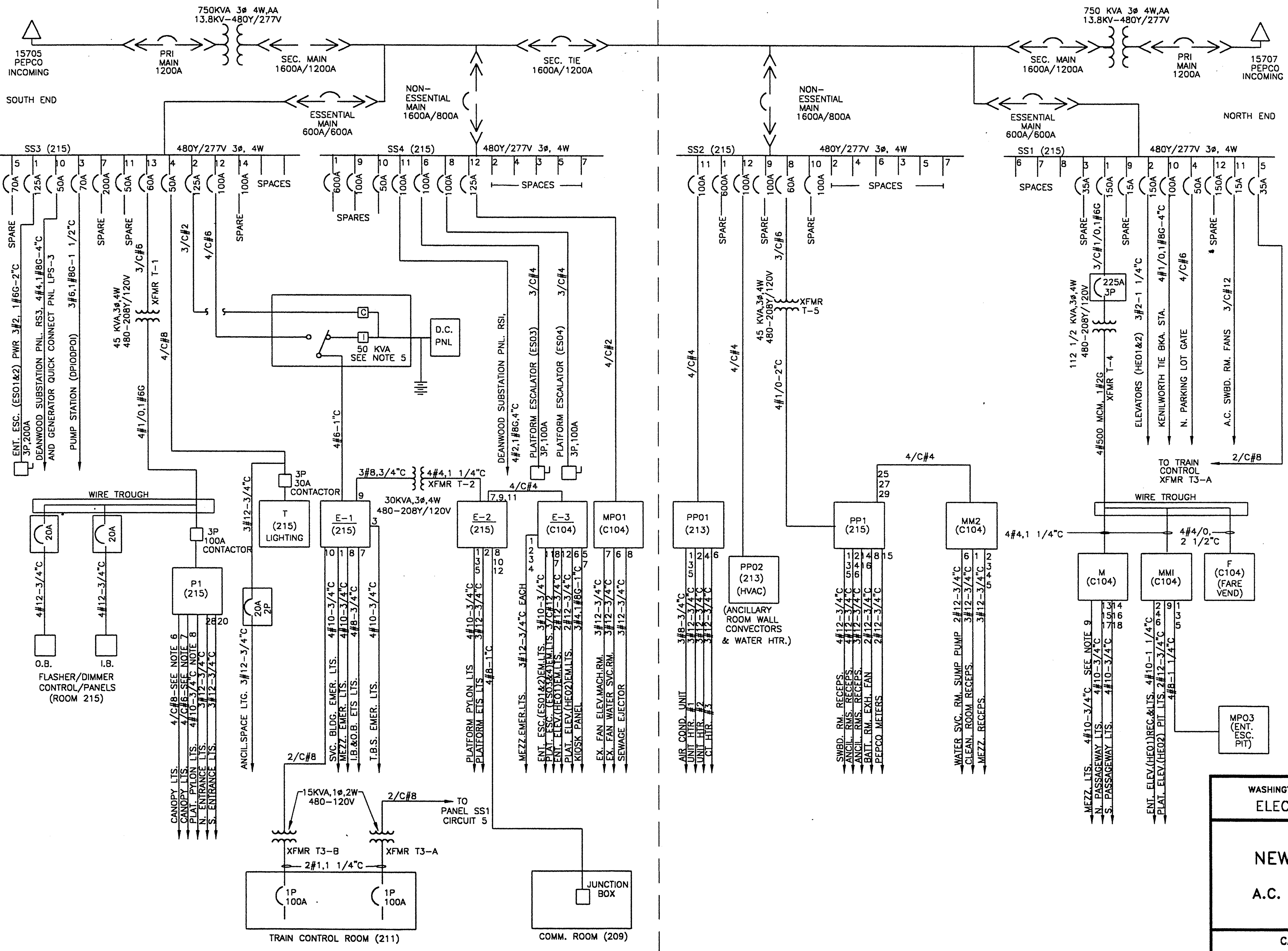
REVISIONS		
DATE	BY	DESCRIPTION

WASHINGTON METROPOLITAN AREA TRANSIT AUTHORITY
ELECTRICAL MAINTENANCE MAP

**NEW CARROLLTON ROUTE
 CHEVERLY STATION
 A.C. POWER ONE LINE DIAGRAM**

CAPITAL IMPROVEMENT PROGRAM
 PARSONS TRANSPORTATION GROUP - CAPITAL TRANSIT CONSULTANTS

SCALE: NONE DRAWING No. **MM-D-E24**



- NOTES:**
1. PANEL DESIGNATION

WEA (205) PANEL DESIGNATION WHEN UNDERLINED IS EMERGENCY

(LIGHTING) ROOM NUMBER

8 (CIRCUIT NUMBER)

• WHEN NO CKTS SHOWN
 2. 3#2, 2" CONDUIT SIZE

AWG OR KCMIL CIRCUIT WIRES

• AS TAKEN FROM AS BUILT DWGS.
 3. CIRCUIT BREAKERS

DRAW OUT 1600A/1200A

MOLDED CASE

FRAME SIZE CONTINUOUS CURRENT SETTING
 4. 4/C # 4/0

INDICATES MULTICONDUCTOR CABLE WITH 4 CONDUCTORS AND SIZE OF EACH 4/0
 5. RATING AS SHOWN FOR UNINTERRUPTIBLE POWER SUPPLY CONSISTING OF RECTIFIER/CHARGER, INVERTER, POWER TRANSFER SWITCH, ASSOCIATED BATTERIES AND D.C. PANELBOARD.
 6. TYPICAL FOR BRANCH CIRCUIT GROUPS (7,9,11) (8,10,12)
 7. TYPICAL FOR BRANCH CIRCUIT GROUPS (13,15,17) (14,16,18)
 8. TYPICAL FOR BRANCH CIRCUIT GROUPS (1,3,5) (2,4,6)
 9. TYPICAL FOR BRANCH CIRCUIT GROUPS (2,4,6),(8,10,12),(7,9,11) CIRCUIT GROUP (1,3,5) IS FED B 4#12, 3/4" C
 10. SWITCHGEAR MANUFACTURER: FEDERAL PACIFIC
 11. UPS MANUFACTURER: IPM

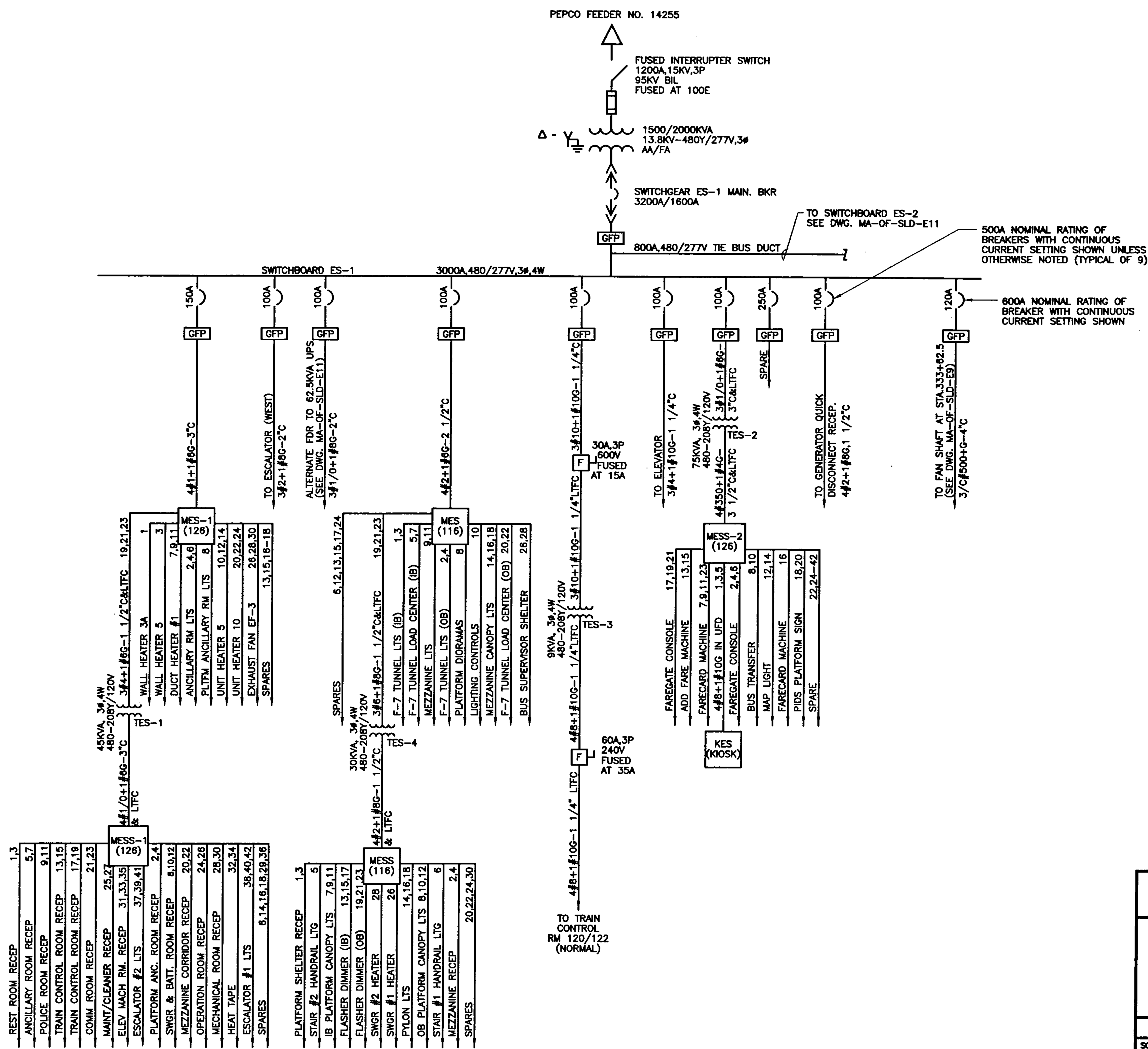
REVISIONS		
DATE	BY	DESCRIPTION

WASHINGTON METROPOLITAN AREA TRANSIT AUTHORITY
ELECTRICAL MAINTENANCE MAP

**NEW CARROLLTON ROUTE
 DEANWOOD STATION
 A.C. POWER ONE LINE DIAGRAM**

CAPITAL IMPROVEMENT PROGRAM
 PARSONS TRANSPORTATION GROUP - CAPITAL TRANSIT CONSULTANTS

SCALE: NONE DRAWING No. **MM-D-E22**



- NOTES:**
1. PANEL DESIGNATION
 WEA (205)
 PANEL DESIGNATION WHEN UNDERLINED IS EMERGENCY
 ROOM NUMBER
 8 (CIRCUIT NUMBER)
 2. 3/2, 2°C
 CONDUIT SIZE
 AWG OR KCMIL CIRCUIT WIRES
 3. CIRCUIT BREAKERS
 DRAW OUT ←→ 1600A/1200A
 FRAME SIZE CONTINUOUS CURRENT SETTING
 4. SWITCHGEAR MANUFACTURER
 HV: SIEMENS
 LV: SIEMENS
 5. TRANSFORMER MANUFACTURER
 VIRGINIA TRANSFORMER CORPORATION
 6. ROOM DESIGNATIONS
MEZZANINE LEVEL
 114 MECHANICAL ROOM
 116 AC SWITCHBOARD ROOM
 118 BATTERY ROOM
 124 COMMUNICATIONS ROOM
 120/122 TRAIN CONTROL ROOM
 112 OPERATIONS ROOM
 126 ELECTRICAL CABINET ROOM

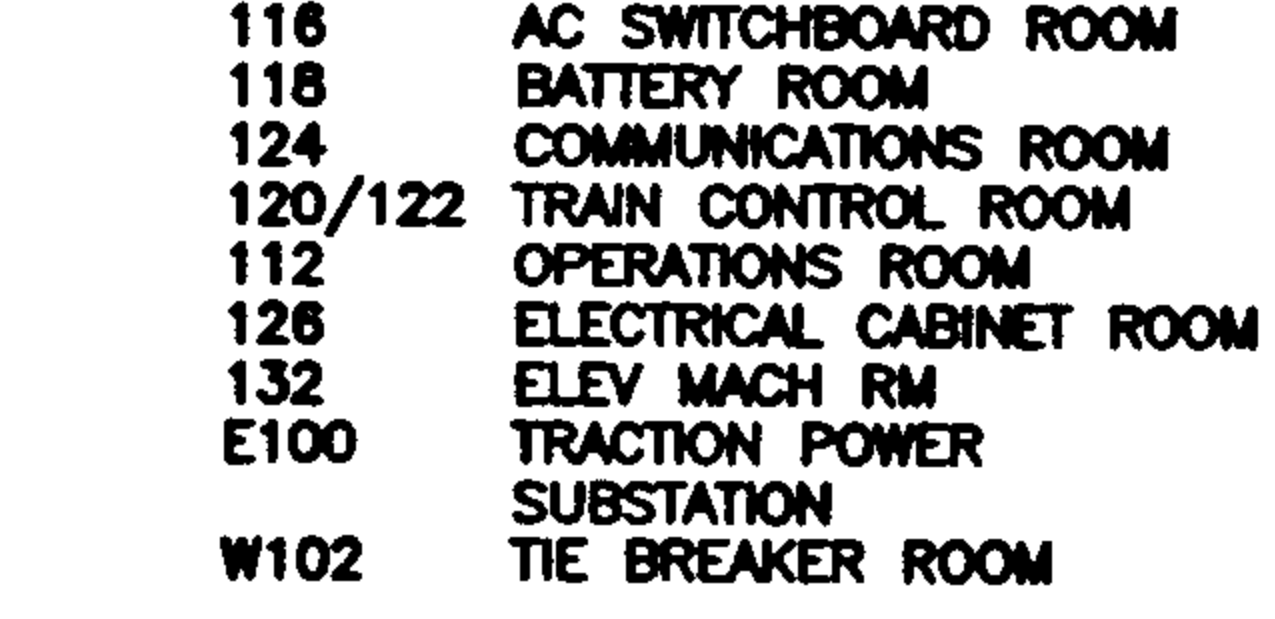
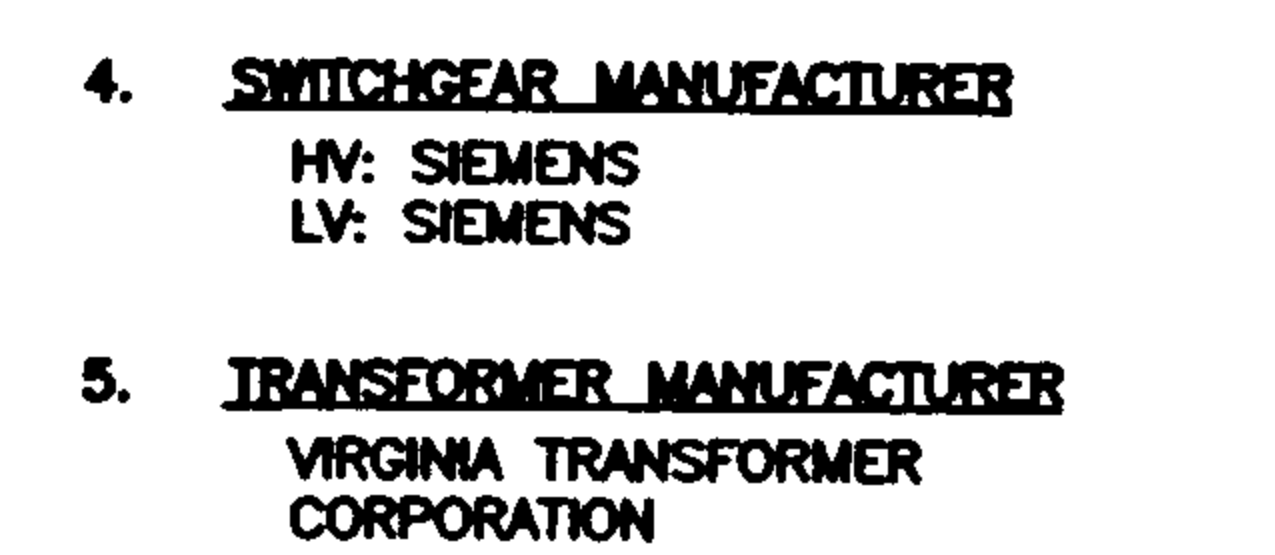
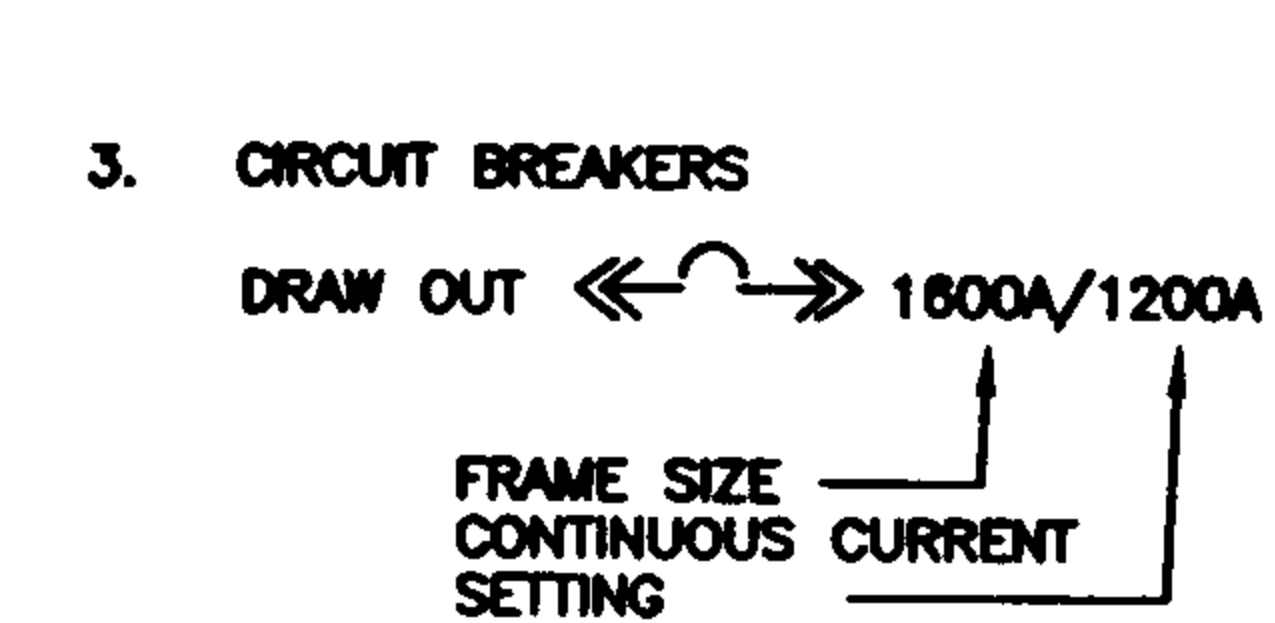
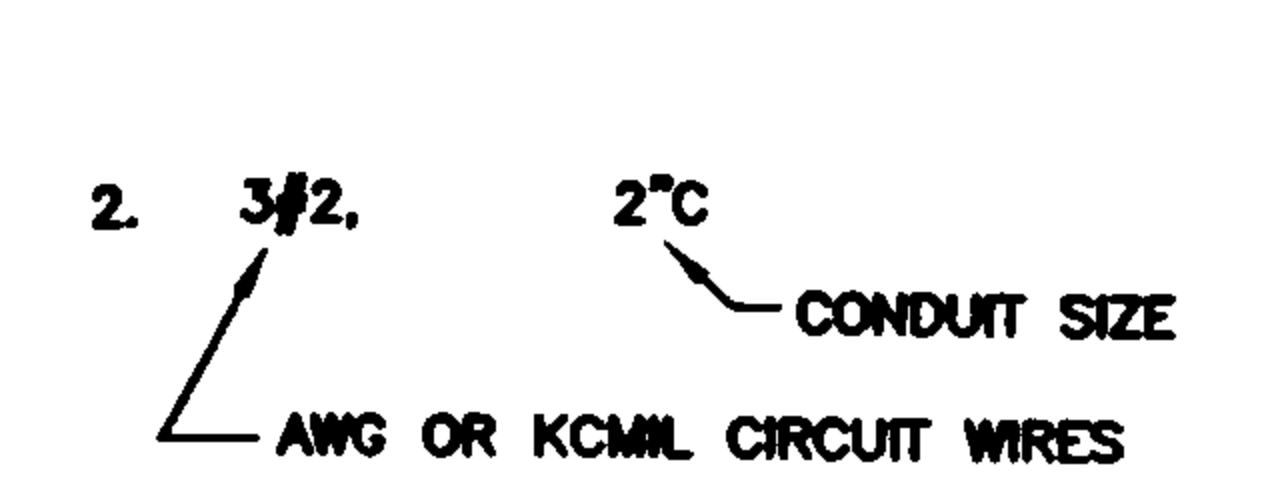
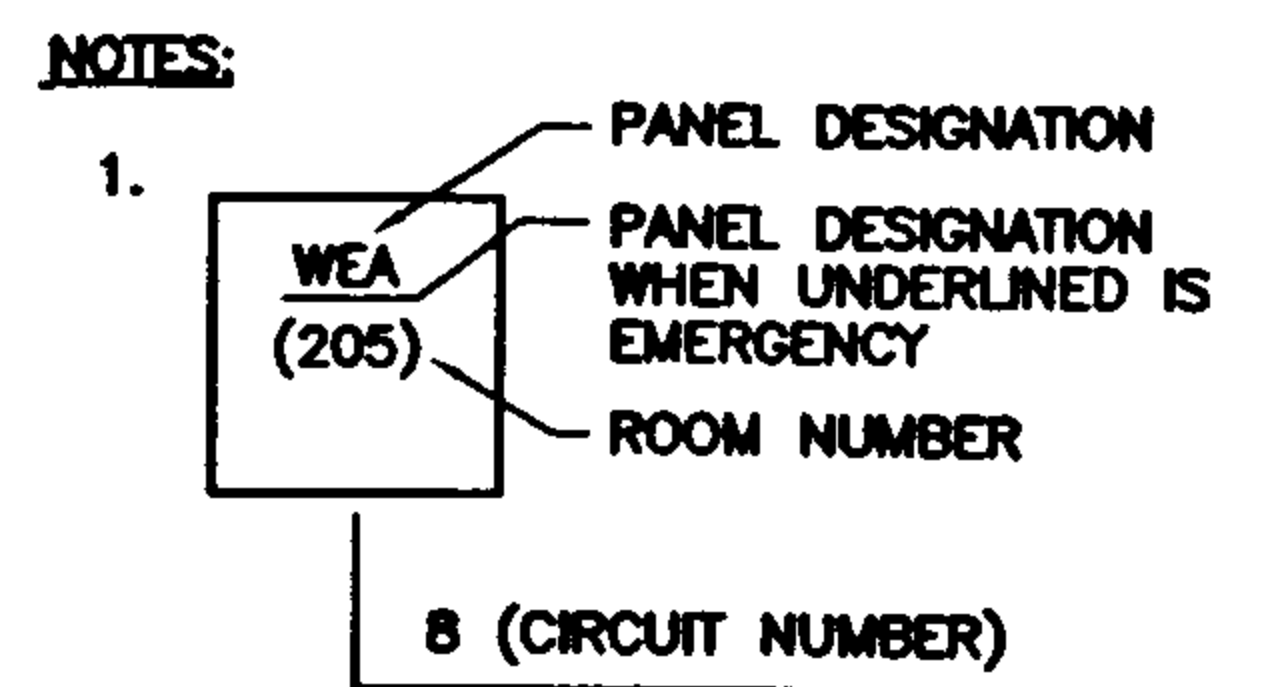
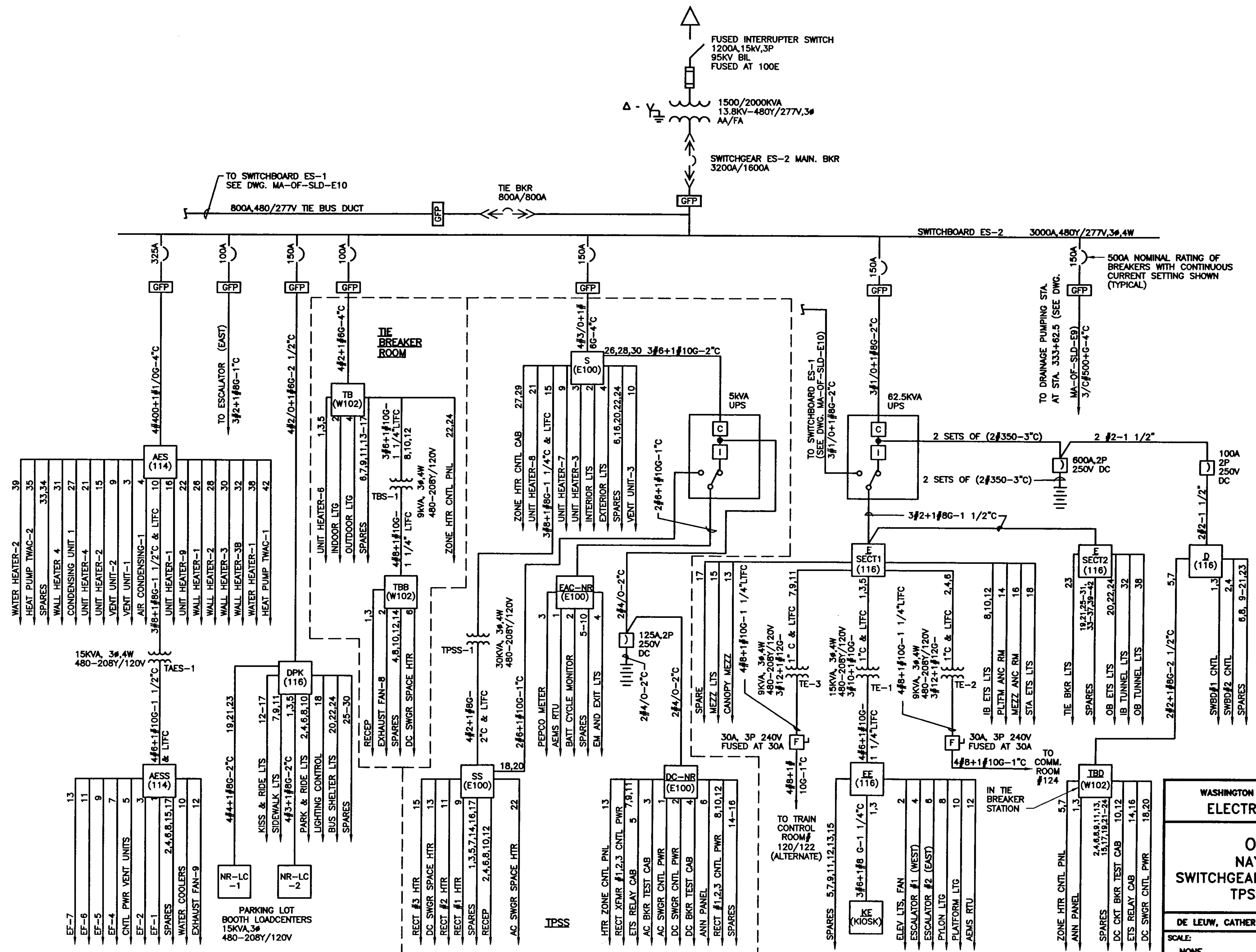
REVISIONS		
DATE	BY	DESCRIPTION
12/01	DV	GENERAL REVISIONS

WASHINGTON METROPOLITAN AREA TRANSIT AUTHORITY
ELECTRICAL MAINTENANCE MAP

**OUTER-F ROUTE
 NAYLOR ROAD STATION
 SWITCHGEAR/SWITCHBOARD ES-1**

DE LEUW, CATHER & COMPANY - GENERAL ENGINEERING CONSULTANT

SCALE: NONE	DRAWING No. MA-OF-SLD-E10
----------------	------------------------------



REVISIONS		
DATE	BY	DESCRIPTION
12/01	DV	GENERAL REVISIONS

WASHINGTON METROPOLITAN AREA TRANSIT AUTHORITY
ELECTRICAL MAINTENANCE MAP

**OUTER-F ROUTE
NAYLOR ROAD STATION
SWITCHGEAR/SWITCHBOARD ES-2, TBR,
TPSS AND PARKING LOT**

DE LEUW, CATHER & COMPANY - GENERAL ENGINEERING CONSULTANT

SCALE: NONE
DRAWING No. MA-OF-SLD-E11